

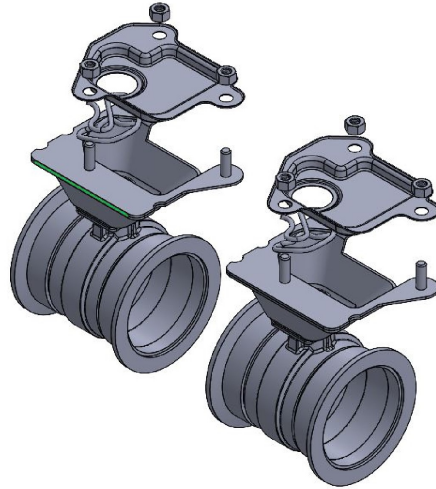


INSTALLATION INSTRUCTIONS



VALVE ASSEMBLIES | PART NO. 10805

BILL OF MATERIALS:



1. [2] VALVE ASSEMBLIES



WEAR SAFETY GLASSES



READ INSTRUCTIONS THOROUGHLY BEFORE INSTALLING PRODUCT



SPRAY LUBRICANT

To ease removal of existing exhaust components (especially on older vehicles) spray penetrating lubricant on all fasteners and hangers/insulators that will be loosened or removed and let soak before disassembly.

HARDWARE KIT:

- 1.[4] 2.50" V-Band Clamp
- 2.[2] Actuator Shield
- 3.[2] Spring

MINIMUM REQUIRED TOOLS:



13,15 mm



Hanger Tool (Or Pry Bar)

MAGNAFLOW RECOMMENDS PROFESSIONAL INSTALLATION ON ALL THEIR PRODUCTS



WARNING: When working on, under, or around any vehicle exercise caution. Please allow the vehicle's exhaust system to cool before removal, as exhaust system temperatures may cause severe burns. If working without a lift always consult vehicle manual for correct lifting specifications. Always wear safety glasses and ensure a safe work area. Serious injury or death could occur if safety measures are not followed.

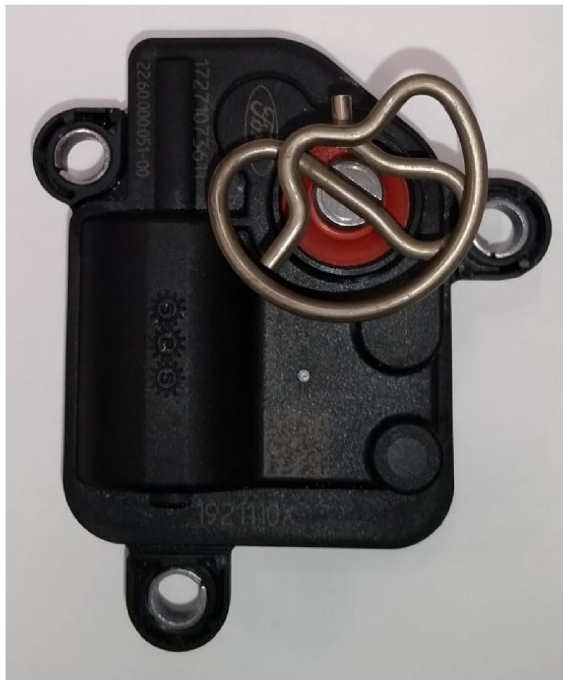
ATTENTION: Always install any supplied band or U-bolt clamps to the proper torque specifications of 40-45 ft-lb for band clamps and 30-35 ft-lb for U-bolt clamps. Over tightening will result in the clamps breaking and will NOT be warranted by MagnaFlow.

MAGNAFLOW: 1901 Corporate Centre Dr - Oceanside, CA 92056 | 1(800)990-0905
Technical Support: 1(800) 959-9226 | Email: moreinfo@magnaflow.com

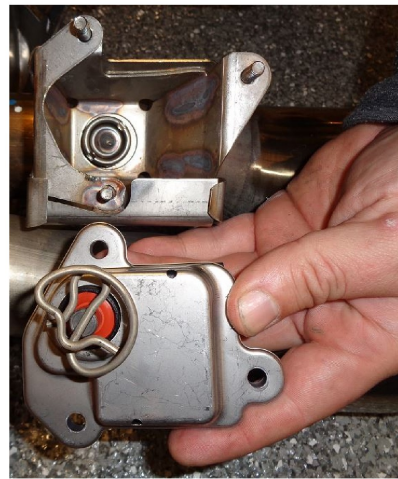
INSTALLATION INSTRUCTIONS



Step 1. Unplug the electrical connection on the Exhaust Valve Control Motors (Qty 2) located on the OE exhaust assembly, also disconnect the wire harness mounting plug.



Step 2. If the spring becomes dislodged, reinstall in the orientation seen above. A replacement spring has been supplied in case the OE part is damaged.



Step 3. Remove the valve delete pipes from the MagnaFlow system. If needed, use the supplied clamps when installing the new valves. Before mounting the new valve bodies to the exhaust system the motors will need to be transferred onto the new valve. First place the Actuator Shield on top of the valve and using supplied hardware install the OE motor to the new Magnaflow valve locking the spring into place using the OEM specified torque.



Step 4. When installing the valves orient them to be free of any interferences like the body, exhaust system or hangers that can damage it. Once a final position has been chosen for the new valves, evenly tighten all the clamps from front to rear. Re-connect the wiring harness plug to the Valve motors and wire mounting bracket. Inspect all fasteners after 25-50 miles of operation and re-tighten if necessary.